

Kinetic Sand Float™

5+
YEARS

WARNING:
CHOKING HAZARD – Small parts.
Not for children under 3 years.

www.kineticsand.com

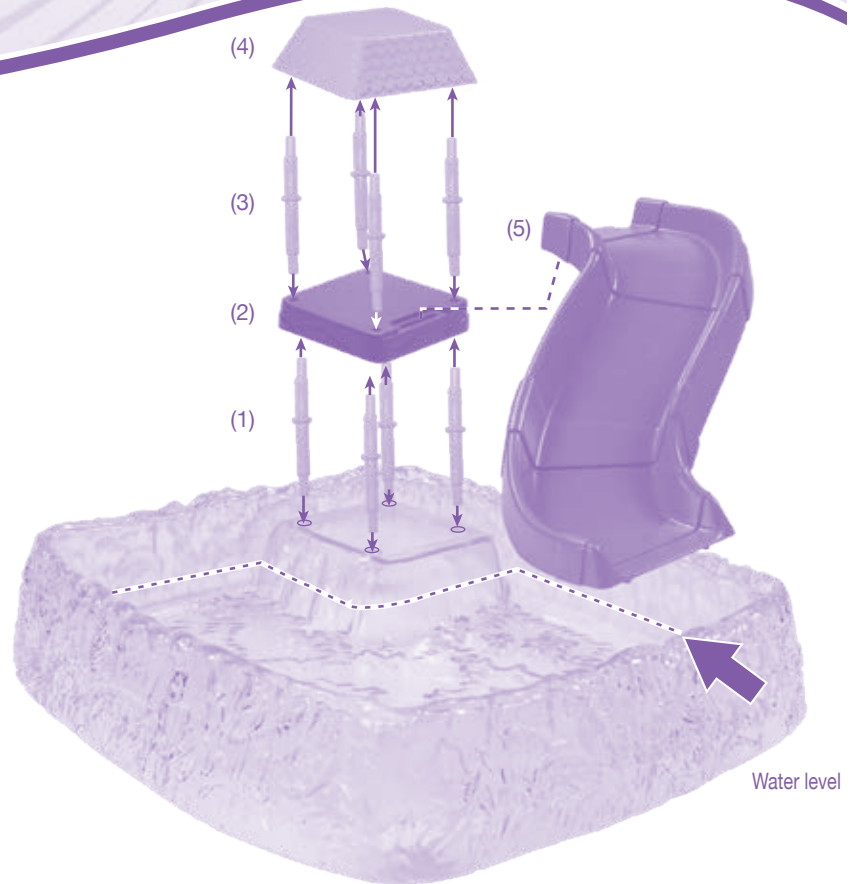
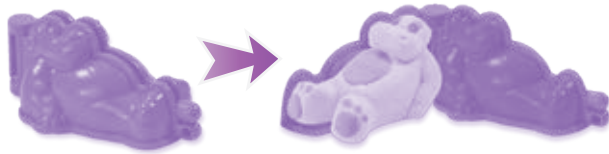
ADVENTURE WATERPARK

INSTRUCTIONS

Contents: 3 packets of Kinetic Sand Float™, 4 Kinetic Sand™ molds, 1 water slide (8 legs, 1 platform, 1 roof, 1 slide), 1 water tray play space, 1 instruction guide.

Set Up:

- Place water tray play space on a solid flat surface.
- Assemble the water slide tower as shown, steps 1 to 5.
- Add approximately 1.5 cups/355 ml of water to the tray.
- Open Kinetic Sand Float™ polybag onto a solid flat surface and squish the sand until it softens.
- Once the sand is soft you are ready to mold and create your sand environment.
- Fill each half of the mold with Kinetic Sand Float™, then close the mold. Remove the excess sand.
- Open molds quickly (not slowly) for best end results.
Note: If your Kinetic Sand Float™ is sticking to the molds please air dry sand before playing.



Clean Up:

- This is messy fun. Make sure you set up in an area where leaks and spills can be easily cleaned up.
- If Kinetic Sand Float™ gets onto carpet, no water or cleaning solution required! Use a small amount of Kinetic Sand Float™ to dab up the pieces.

- Remove your creations from the water tray before emptying out the water.

Care and Safety:

IMPORTANT: MODELING COMPOUND NOT INTENDED TO BE EATEN.

- Store Kinetic Sand Float™ in a sealed container to keep clean and dust-free.
- **DO NOT mix Kinetic Sand Float™ with other sands.**
- DO NOT play with Kinetic Sand Float™ in the pool area or waterside, to reduce the possibility of injury.
- Once sand has become wet, let it air dry for one day before re-molding.
- Children should be supervised during play.
- DO NOT wash the Kinetic Sand Float™ down drains or toilets, to avoid clogged drains.
- DO NOT place Kinetic Sand Float™ in fish tanks to avoid harming fish and damaging pumps and filters.

Content may vary from pictures. Retain this information, addresses and phone numbers for future reference. Remove all packaging before use. An adult should periodically check this toy to ensure no damage or hazards exist, if so, remove from use. Children should be supervised during play. Do not store or use product near heat, sparks or flame. Some color transfer may occur. Please use caution around light colored upholstery or carpeting. Wash hands thoroughly with mild soap and water after use. Meets CPSC safety requirements. This product conforms to ASTM D-4236. Spin Master Ltd. reserves the right to discontinue use of the www.kineticsand.com at any time.

TM & © Spin Master Ltd. All rights reserved. Manufactured for and distributed by Spin Master Ltd. under license from Delta of Sweden, A.B. KINETIC SAND MADE IN SWEDEN. PLASTIC COMPONENTS MADE IN MEXICO. KIT ASSEMBLED IN MEXICO.



SPIN MASTER LTD.
450 FRONT STREET WEST,
TORONTO, ON M5V 1B6 CANADA
Imported into EU by
SPIN MASTER INTERNATIONAL,
S.A.R.L., 16 AVENUE PASTEUR,
L-2310, LUXEMBOURG



DO NOT RETURN TO THE STORE.

NORTH AMERICA – 1-800-622-8339,
CUSTOMERCARE@SPINMASTER.COM
UK – 0800 206 1191, SERVICEUK@SPINMASTER.COM

WWW.SPINMASTER.COM



WARNING: CHOKING HAZARD – Small parts.
Not suitable for children under 3 years.

